

Product drawing	Product size	Pin Assignment
Form Length/Material Could be customized according to different enviroment , like extrame tempreture and acid/alkali	M12-A3-4K5P-DZP Circuit	M12-A3-4K5N-DZP Circuit
Rated voltage	24V DC	
Rated current	4A	
ProtectionClass(IEC 60529)	IP65-IP67	
Ambient temperature	-25~+65°C	



Matching cable of junction box

PVC	grey3m	DZP-F16S11-3.0PVC/GY
PVC	grey5m	DZP-F16S11-5.0PVC/GY
PVC	grey10m	DZP-F16S11-10.0PVC/GY
PUR	grey3m	DZP-F16S11-3.0PUR/GY
PUR	grey5m	DZP-F16S11-5.0PUR/GY
PUR	grey10m	DZP-F16S11-10.0PUR/GY
DragChain	grey3m	DZP-F16S11-3.0TL/GY
DragChain	grey5m	DZP-F16S11-5.0TL/GY
DragChain	grey10m	DZP-F16S11-10.0TL/GY

Product drawing	Product size	Pin Assignment
Form Length/Material Could be customized according to different enviroment , like extrame tempreture and acid/alkali	M12-A3-4K5-DZP Circuit	Circuit
Rated voltage	24V DC	
Rated current	4A	
ProtectionClass(IEC 60529)	IP65-IP67	
Ambient temperature	-25~+65°C	



Junction Box

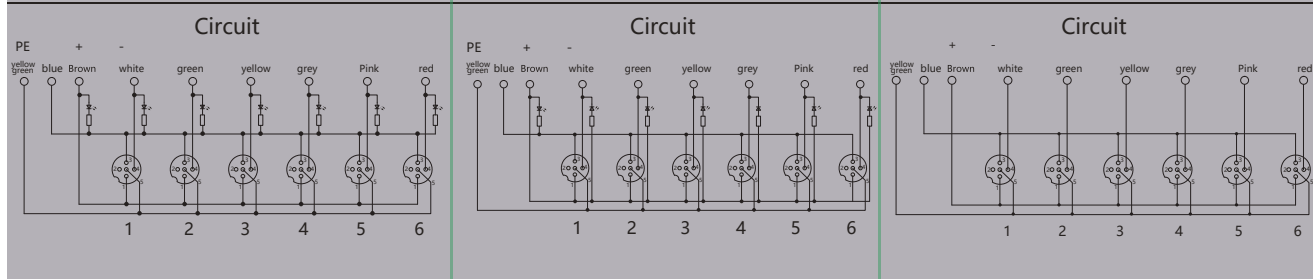


Matching cable of junction box

PVC	grey3m	DZP-F16S11-3.0PVC/GY
PVC	grey5m	DZP-F16S11-5.0PVC/GY
PVC	grey10m	DZP-F16S11-10.0PVC/GY
PUR	grey3m	DZP-F16S11-3.0PUR/GY
PUR	grey5m	DZP-F16S11-5.0PUR/GY
PUR	grey10m	DZP-F16S11-10.0PUR/GY
DragChain	grey3m	DZP-F16S11-3.0TL/GY
DragChain	grey5m	DZP-F16S11-5.0TL/GY
DragChain	grey10m	DZP-F16S11-10.0TL/GY

Product drawing	Product size	Pin Assignment
		<ul style="list-style-type: none"> single channel PNP single channel NPN single channel No components

PVC	grey3m	M12-A3-6K4P-3.0PVC/GY	M12-A3-6K4N-3.0PVC/GY	M12-A3-6K4-3.0PVC/GY
PVC	grey5m	M12-A3-6K4P-5.0PVC/GY	M12-A3-6K4N-5.0PVC/GY	M12-A3-6K4-5.0PVC/GY
PVC	grey10m	M12-A3-6K4P-10.0PVC/GY	M12-A3-6K4N-10.0PVC/GY	M12-A3-6K4-10.0PVC/GY
PUR	grey3m	M12-A3-6K4P-3.0PUR/GY	M12-A3-6K4N-3.0PUR/GY	M12-A3-6K4-3.0PUR/GY
PUR	grey5m	M12-A3-6K4P-5.0PUR/GY	M12-A3-6K4N-5.0PUR/GY	M12-A3-6K4-5.0PUR/GY
PUR	grey10m	M12-A3-6K4P-10.0PUR/GY	M12-A3-6K4N-10.0PUR/GY	M12-A3-6K4-10.0PUR/GY
DragChain	grey3m	M12-A3-6K4P-3.0TL/GY	M12-A3-6K4N-3.0TL/GY	M12-A3-6K4-3.0TL/GY
DragChain	grey5m	M12-A3-6K4P-5.0TL/GY	M12-A3-6K4N-5.0TL/GY	M12-A3-6K4-5.0TL/GY
DragChain	grey10m	M12-A3-6K4P-10.0TL/GY	M12-A3-6K4N-10.0TL/GY	M12-A3-6K4-10.0TL/GY



Product drawing	Product size	Pin Assignment
		<ul style="list-style-type: none"> Dual channel PNP Dual channel NPN Dual channel No components

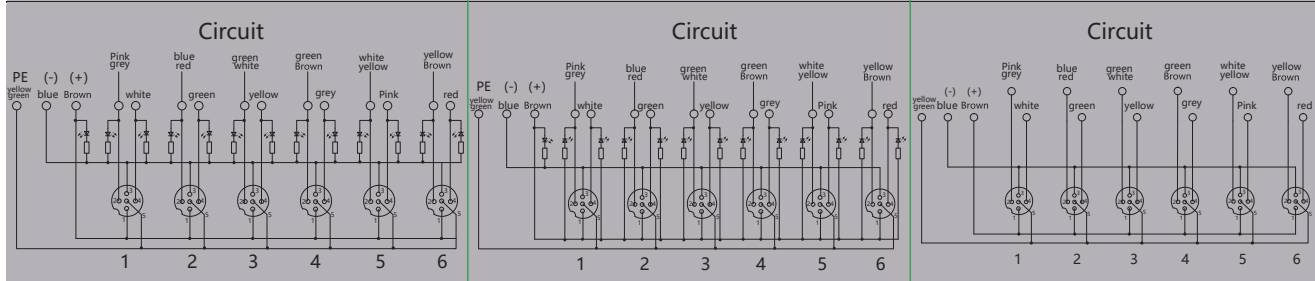


Data ,CAD,3D document please refer to: WWW.VELLEDQ.COM

Junction Box

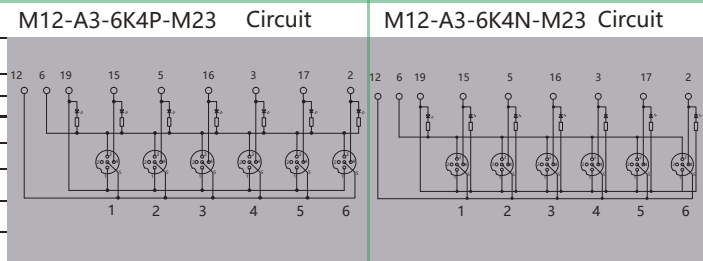


PVC	grey3m	M12-A3-6K5P-3.0PVC/GY	M12-A3-6K5N-3.0PVC/GY	M12-A3-6K5-3.0PVC/GY
PVC	grey5m	M12-A3-6K5P-5.0PVC/GY	M12-A3-6K5N-5.0PVC/GY	M12-A3-6K5-5.0PVC/GY
PVC	grey10m	M12-A3-6K5P-10.0PVC/GY	M12-A3-6K5N-10.0PVC/GY	M12-A3-6K5-10.0PVC/GY
PUR	grey3m	M12-A3-6K5P-3.0PUR/GY	M12-A3-6K5N-3.0PUR/GY	M12-A3-6K5-3.0PUR/GY
PUR	grey5m	M12-A3-6K5P-5.0PUR/GY	M12-A3-6K5N-5.0PUR/GY	M12-A3-6K5-5.0PUR/GY
PUR	grey10m	M12-A3-6K5P-10.0PUR/GY	M12-A3-6K5N-10.0PUR/GY	M12-A3-6K5-10.0PUR/GY
DragChain	grey3m	M12-A3-6K5P-3.0TL/GY	M12-A3-6K5N-3.0TL/GY	M12-A3-6K5-3.0TL/GY
DragChain	grey5m	M12-A3-6K5P-5.0TL/GY	M12-A3-6K5N-5.0TL/GY	M12-A3-6K5-5.0TL/GY
DragChain	grey10m	M12-A3-6K5P-10.0TL/GY	M12-A3-6K5N-10.0TL/GY	M12-A3-6K5-10.0TL/GY



<p>Product drawing</p>	<p>Product size</p>	<p>Pin Assignment</p>
-------------------------------	----------------------------	------------------------------

Form	Length/Material Could be customized according to different environment ,like extrame temprature and acid/alkali
Rated voltage	24 V DC
Rated current	4A
ProtectionClass(IEC 60529)	IP65-IP67
Ambient temperature	-25~+65°C



Matching cable of junction box



PVC	grey3m	M23-F19T09-3.0PVC/GY	M23-F19S09-3.0PVC/GY
PVC	grey5m	M23-F19T09-5.0PVC/GY	M23-F19S09-5.0PVC/GY
PVC	grey10m	M23-F19T09-10.0PVC/GY	M23-F19S09-10.0PVC/GY
PUR	grey3m	M23-F19T09-3.0PUR/GY	M23-F19S09-3.0PUR/GY
PUR	grey5m	M23-F19T09-5.0PUR/GY	M23-F19S09-5.0PUR/GY
PUR	grey10m	M23-F19T09-10.0PUR/GY	M23-F19S09-10.0PUR/GY
DragChain	grey3m	M23-F19T09-3.0TL/GY	M23-F19S09-3.0TL/GY
DragChain	grey5m	M23-F19T09-5.0TL/GY	M23-F19S09-5.0TL/GY
DragChain	grey10m	M23-F19T09-10.0TL/GY	M23-F19S09-10.0TL/GY

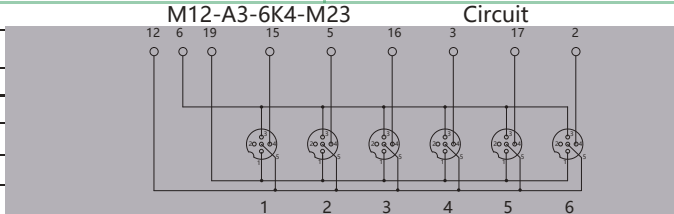


Junction Box



Product drawing	Product size	Pin Assignment

Form	
Length/Material	Could be customized according to different environment ,like extrim temperature and acid/alkali
Rated voltage	24 V DC
Rated current	4A
ProtectionClass(IEC 60529)	IP65-IP67
Ambient temperature	-25~+65°C



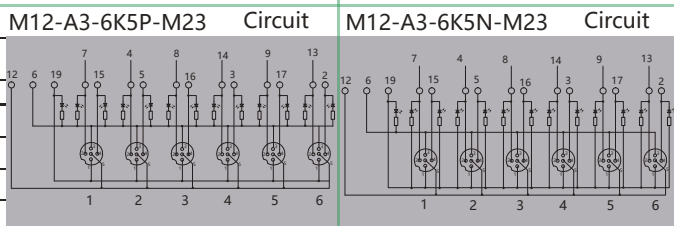
Matching cable of junction box



PVC	grey3m	M23-F19T09-3.0PVC/GY	M23-F19S09-3.0PVC/GY
PVC	grey5m	M23-F19T09-5.0PVC/GY	M23-F19S09-5.0PVC/GY
PVC	grey10m	M23-F19T09-10.0PVC/GY	M23-F19S09-10.0PVC/GY
PUR	grey3m	M23-F19T09-3.0PUR/GY	M23-F19S09-3.0PUR/GY
PUR	grey5m	M23-F19T09-5.0PUR/GY	M23-F19S09-5.0PUR/GY
PUR	grey10m	M23-F19T09-10.0PUR/GY	M23-F19S09-10.0PUR/GY
DragChain	grey3m	M23-F19T09-3.0TL/GY	M23-F19S09-3.0TL/GY
DragChain	grey5m	M23-F19T09-5.0TL/GY	M23-F19S09-5.0TL/GY
DragChain	grey10m	M23-F19T09-10.0TL/GY	M23-F19S09-10.0TL/GY

Product drawing	Product size	Pin Assignment

Form	
Length/Material	Could be customized according to different environment ,like extrim temperature and acid/alkali
Rated voltage	24 V DC
Rated current	4A
ProtectionClass(IEC 60529)	IP65-IP67
Ambient temperature	-25~+65°C



Data ,CAD,3D document please refer to: WWW.VELLEDQ.COM



Junction Box



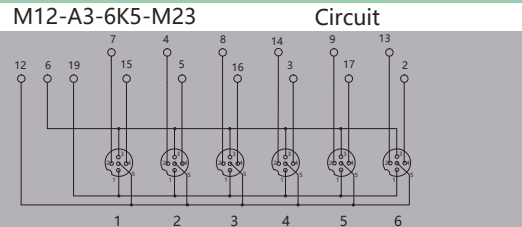
Matching cable of junction box



PVC	grey3m	M23-F19T15-3.0PVC/GY	M23-F19S15-3.0PVC/GY
PVC	grey5m	M23-F19T15-5.0PVC/GY	M23-F19S15-5.0PVC/GY
PVC	grey10m	M23-F19T15-10.0PVC/GY	M23-F19S15-10.0PVC/GY
PUR	grey3m	M23-F19T15-3.0PUR/GY	M23-F19S15-3.0PUR/GY
PUR	grey5m	M23-F19T15-5.0PUR/GY	M23-F19S15-5.0PUR/GY
PUR	grey10m	M23-F19T15-10.0PUR/GY	M23-F19S15-10.0PUR/GY
DragChain	grey3m	M23-F19T15-3.0TL/GY	M23-F19S15-3.0TL/GY
DragChain	grey5m	M23-F19T15-5.0TL/GY	M23-F19S15-5.0TL/GY
DragChain	grey10m	M23-F19T15-10.0TL/GY	M23-F19S15-10.0TL/GY

Product drawing	Product size	Pin Assignment

Form	
Length/Material	Could be customized according to different environment ,like extrim tempreature and acid/alkali
Rated voltage	24 V DC
Rated current	4A
ProtectionClass(IEC 60529)	IP65-IP67
Ambient temperature	-25~+65°C



Matching cable of junction box


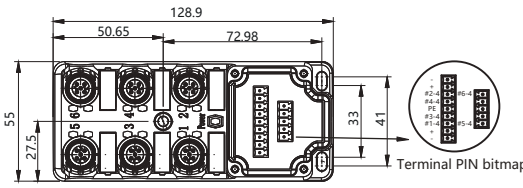

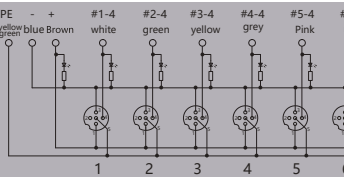
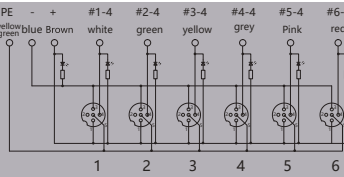


PVC	grey3m	M23-F19T15-3.0PVC/GY	M23-F19S15-3.0PVC/GY
PVC	grey5m	M23-F19T15-5.0PVC/GY	M23-F19S15-5.0PVC/GY
PVC	grey10m	M23-F19T15-10.0PVC/GY	M23-F19S15-10.0PVC/GY
PUR	grey3m	M23-F19T15-3.0PUR/GY	M23-F19S15-3.0PUR/GY
PUR	grey5m	M23-F19T15-5.0PUR/GY	M23-F19S15-5.0PUR/GY
PUR	grey10m	M23-F19T15-10.0PUR/GY	M23-F19S15-10.0PUR/GY
DragChain	grey3m	M23-F19T15-3.0TL/GY	M23-F19S15-3.0TL/GY
DragChain	grey5m	M23-F19T15-5.0TL/GY	M23-F19S15-5.0TL/GY
DragChain	grey10m	M23-F19T15-10.0TL/GY	M23-F19S15-10.0TL/GY



Junction Box


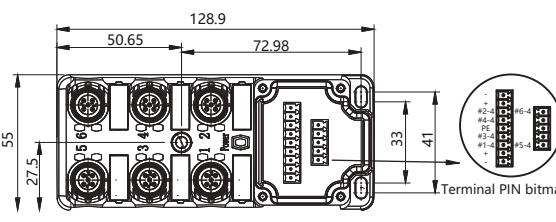

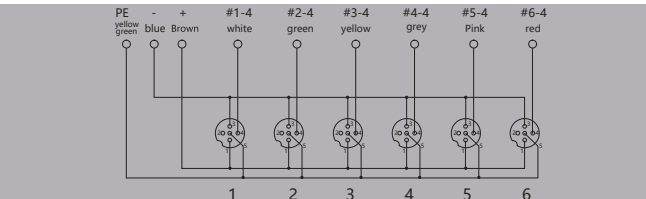


<p>Product drawing</p> 	<p>Product size</p> 	<p>Pin Assignment</p> 								
<p>Form</p> <p>Length/Material Could be customized according to different environment ,like extrame temperture and acid/alkali</p> <table border="1"> <tr> <td>Rated voltage</td> <td>24V DC</td> </tr> <tr> <td>Rated current</td> <td>4A</td> </tr> <tr> <td>ProtectionClass(IEC 60529)</td> <td>IP65-IP67</td> </tr> <tr> <td>Ambient temperature</td> <td>-25~+65°C</td> </tr> </table>	Rated voltage	24V DC	Rated current	4A	ProtectionClass(IEC 60529)	IP65-IP67	Ambient temperature	-25~+65°C	<p>M12-A3-6K4P-DZP Circuit</p> 	<p>M12-A3-6K4N-DZP Circuit</p> 
Rated voltage	24V DC									
Rated current	4A									
ProtectionClass(IEC 60529)	IP65-IP67									
Ambient temperature	-25~+65°C									

Matching cable of junction box



PVC	grey3m	DZP-F14S09-3.0PVC/GY
PVC	grey5m	DZP-F14S09-5.0PVC/GY
PVC	grey10m	DZP-F14S09-10.0PVC/GY
PUR	grey3m	DZP-F14S09-3.0PUR/GY
PUR	grey5m	DZP-F14S09-5.0PUR/GY
PUR	grey10m	DZP-F14S09-10.0PUR/GY
DragChain	grey3m	DZP-F14S09-3.0TL/GY
DragChain	grey5m	DZP-F14S09-5.0TL/GY
DragChain	grey10m	DZP-F14S09-10.0TL/GY

<p>Product drawing</p> 	<p>Product size</p> 	<p>Pin Assignment</p> 								
<p>Form</p> <p>Length/Material Could be customized according to different environment ,like extrame temperture and acid/alkali</p> <table border="1"> <tr> <td>Rated voltage</td> <td>24V DC</td> </tr> <tr> <td>Rated current</td> <td>4A</td> </tr> <tr> <td>ProtectionClass(IEC 60529)</td> <td>IP65-IP67</td> </tr> <tr> <td>Ambient temperature</td> <td>-25~+65°C</td> </tr> </table>	Rated voltage	24V DC	Rated current	4A	ProtectionClass(IEC 60529)	IP65-IP67	Ambient temperature	-25~+65°C	<p>M12-A3-6K4-DZP Circuit</p> 	
Rated voltage	24V DC									
Rated current	4A									
ProtectionClass(IEC 60529)	IP65-IP67									
Ambient temperature	-25~+65°C									



Data ,CAD,3D document please refer to: WWW.VELLEDQ.COM



Junction Box



Matching cable of junction box

PVC	grey3m	DZP-F14S09-3.0PVC/GY
PVC	grey5m	DZP-F14S09-5.0PVC/GY
PVC	grey10m	DZP-F14S09-10.0PVC/GY
PUR	grey3m	DZP-F14S09-3.0PUR/GY
PUR	grey5m	DZP-F14S09-5.0PUR/GY
PUR	grey10m	DZP-F14S09-10.0PUR/GY
DragChain	grey3m	DZP-F14S09-3.0TL/GY
DragChain	grey5m	DZP-F14S09-5.0TL/GY
DragChain	grey10m	DZP-F14S09-10.0TL/GY

Product drawing	Product size	Pin Assignment
Form Length/Material Could be customized according to different environment like extreme temperature and acid/alkali	M12-A3-6K5P-DZP Circuit 	M12-A3-6K5N-DZP Circuit
Rated voltage: 24V DC Rated current: 4A ProtectionClass(IEC 60529): IP65-IP67 Ambient temperature: -25~+65°C		

Matching cable of junction box



PVC	grey3m	DZP-F21S15-3.0PVC/GY
PVC	grey5m	DZP-F21S15-5.0PVC/GY
PVC	grey10m	DZP-F21S15-10.0PVC/GY
PUR	grey3m	DZP-F21S15-3.0PUR/GY
PUR	grey5m	DZP-F21S15-5.0PUR/GY
PUR	grey10m	DZP-F21S15-10.0PUR/GY
DragChain	grey3m	DZP-F21S15-3.0TL/GY
DragChain	grey5m	DZP-F21S15-5.0TL/GY
DragChain	grey10m	DZP-F21S15-10.0TL/GY

Product drawing	Product size	Pin Assignment



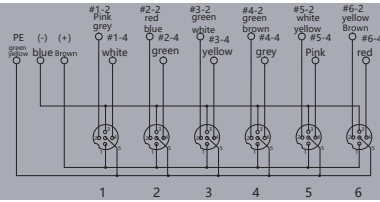
Junction Box



Form

Length/Material	Could be customized according to different environment, like extreme temperature and acid/alkali	
Rated voltage	24V DC	
Rated current	4A	
Protection Class (IEC 60529)	IP65-IP67	
Ambient temperature	-25~+65°C	

M12-A3-6K5-DZP Circuit



Matching cable of junction box



PVC	grey3m	DZP-F21S15-3.0PVC/GY
PVC	grey5m	DZP-F21S15-5.0PVC/GY
PVC	grey10m	DZP-F21S15-10.0PVC/GY
PUR	grey3m	DZP-F21S15-3.0PUR/GY
PUR	grey5m	DZP-F21S15-5.0PUR/GY
PUR	grey10m	DZP-F21S15-10.0PUR/GY
DragChain	grey3m	DZP-F21S15-3.0TL/GY
DragChain	grey5m	DZP-F21S15-5.0TL/GY
DragChain	grey10m	DZP-F21S15-10.0TL/GY

Product drawing	Product size	Pin Assignment

PVC	grey3m	M12-A3-8K4P-3.0PVC/GY	M12-A3-8K4N-3.0PVC/GY	<h3>M12-A3-8K4P-3.0PVC/GY Circuit</h3>
PVC	grey5m	M12-A3-8K4P-5.0PVC/GY	M12-A3-8K4N-5.0PVC/GY	
PVC	grey10m	M12-A3-8K4P-10.0PVC/GY	M12-A3-8K4N-10.0PVC/GY	<h3>M12-A3-8K4N-3.0PVC/GY Circuit</h3>
PUR	grey3m	M12-A3-8K4P-3.0PUR/GY	M12-A3-8K4N-3.0PUR/GY	
PUR	grey5m	M12-A3-8K4P-5.0PUR/GY	M12-A3-8K4N-5.0PUR/GY	
PUR	grey10m	M12-A3-8K4P-10.0PUR/GY	M12-A3-8K4N-10.0PUR/GY	
DragChain	grey3m	M12-A3-8K4P-3.0TL/GY	M12-A3-8K4N-3.0TL/GY	
DragChain	grey5m	M12-A3-8K4P-5.0TL/GY	M12-A3-8K4N-5.0TL/GY	
DragChain	grey10m	M12-A3-8K4P-10.0TL/GY	M12-A3-8K4N-10.0TL/GY	

Product drawing	Product size	Pin Assignment



Data, CAD, 3D document please refer to: WWW.VELLEDQ.COM

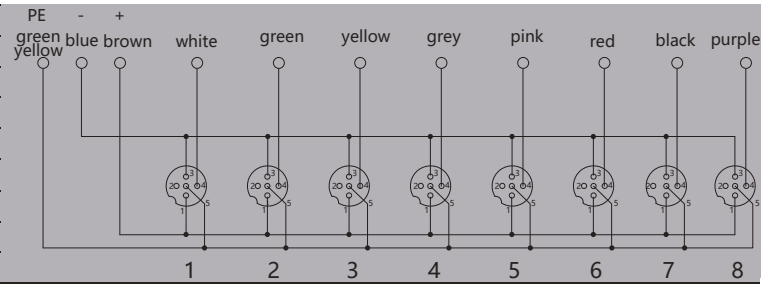


Junction Box

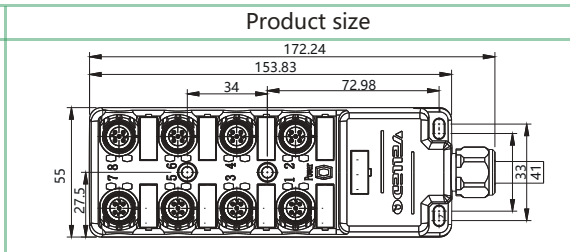


PVC	grey3m	M12-A3-8K4-3.0PVC/GY
PVC	grey5m	M12-A3-8K4-5.0PVC/GY
PVC	grey10m	M12-A3-8K4-10.0PVC/GY
PUR	grey3m	M12-A3-8K4-3.0PUR/GY
PUR	grey5m	M12-A3-8K4-5.0PUR/GY
PUR	grey10m	M12-A3-8K4-10.0PUR/GY
DragChain	grey3m	M12-A3-8K4-3.0TL/GY
DragChain	grey5m	M12-A3-8K4-5.0TL/GY
DragChain	grey10m	M12-A3-8K4-10.0TL/GY

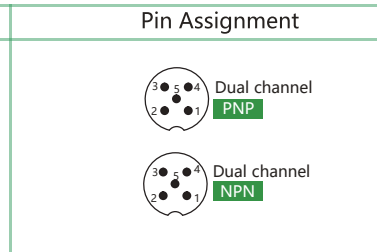
Circuit



Product drawing



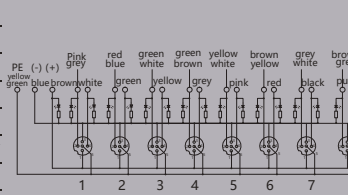
Product size



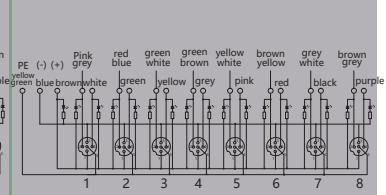
Pin Assignment

PVC	grey3m	M12-A3-8K5P-3.0PVC/GY	M12-A3-8K5N-3.0PVC/GY
PVC	grey5m	M12-A3-8K5P-5.0PVC/GY	M12-A3-8K5N-5.0PVC/GY
PVC	grey10m	M12-A3-8K5P-10.0PVC/GY	M12-A3-8K5N-10.0PVC/GY
PUR	grey3m	M12-A3-8K5P-3.0PUR/GY	M12-A3-8K5N-3.0PUR/GY
PUR	grey5m	M12-A3-8K5P-5.0PUR/GY	M12-A3-8K5N-5.0PUR/GY
PUR	grey10m	M12-A3-8K5P-10.0PUR/GY	M12-A3-8K5N-10.0PUR/GY
DragChain	grey3m	M12-A3-8K5P-3.0TL/GY	M12-A3-8K5N-3.0TL/GY
DragChain	grey5m	M12-A3-8K5P-5.0TL/GY	M12-A3-8K5N-5.0TL/GY
DragChain	grey10m	M12-A3-8K5P-10.0TL/GY	M12-A3-8K5N-10.0TL/GY

M12-A3-8K5P-3.0PVC/GY Circuit



M12-A3-8K5N-3.0PVC/GY Circuit

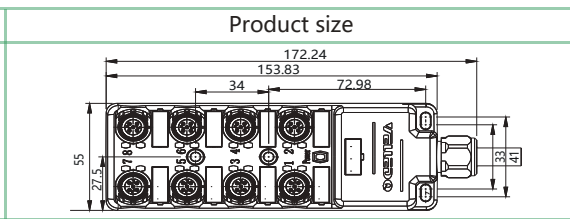


Length/Material Could be customized according to different enviroment ,like extrame temperture and acid/alkali

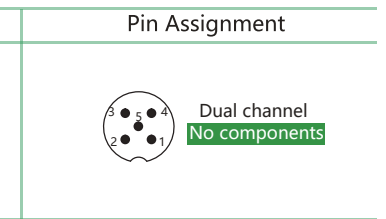
Rated voltage	24 V DC
Rated current	4A
Cable specification	16*0.34mm ² +3*0.75mm ²
ProtectionClass(IEC 60529)	IP65-IP67
Ambient temperature	-25~+65°C



Product drawing



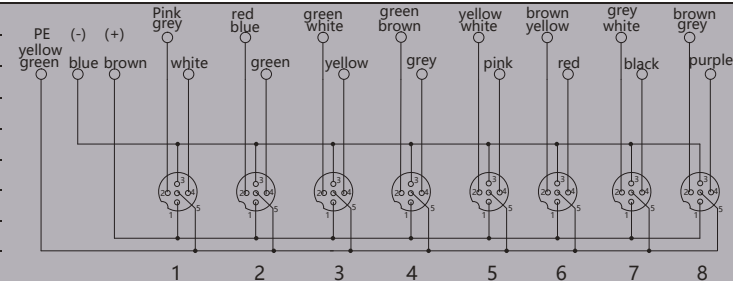
Product size



Pin Assignment


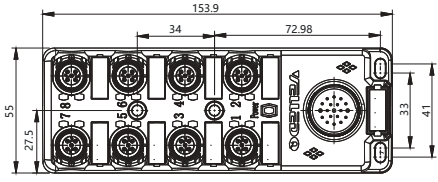
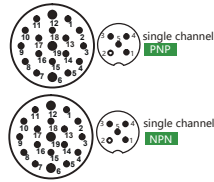
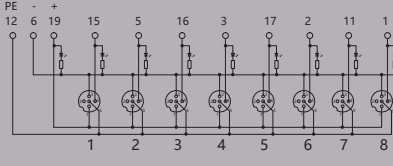
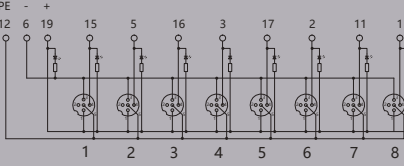
PVC	grey3m	M12-A3-8K5-3.0PVC/GY
PVC	grey5m	M12-A3-8K5-5.0PVC/GY
PVC	grey10m	M12-A3-8K5-10.0PVC/GY
PUR	grey3m	M12-A3-8K5-3.0PUR/GY
PUR	grey5m	M12-A3-8K5-5.0PUR/GY
PUR	grey10m	M12-A3-8K5-10.0PUR/GY
DragChain	grey3m	M12-A3-8K5-3.0TL/GY
DragChain	grey5m	M12-A3-8K5-5.0TL/GY
DragChain	grey10m	M12-A3-8K5-10.0TL/GY

Circuit



Junction Box


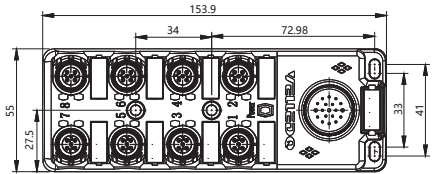

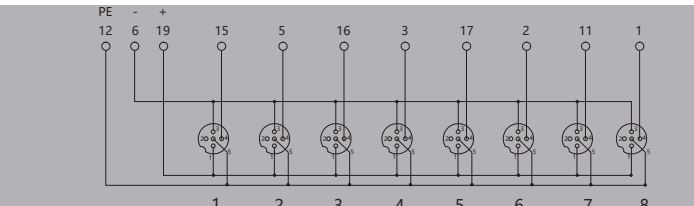


<p>Product drawing</p> 	<p>Product size</p> 	<p>Pin Assignment</p> 										
<p>Form</p> <table border="1"> <tr> <td>Length/Material Could be customized according to different enviroment ,like extrimpe tremepture and acid/alkali</td> <td></td> </tr> <tr> <td>Rated voltage</td> <td>24 V DC</td> </tr> <tr> <td>Rated current</td> <td>4A</td> </tr> <tr> <td>ProtectionClass(IEC 60529)</td> <td>IP65-IP67</td> </tr> <tr> <td>Ambient temperature</td> <td>-25~+65°C</td> </tr> </table>	Length/Material Could be customized according to different enviroment ,like extrimpe tremepture and acid/alkali		Rated voltage	24 V DC	Rated current	4A	ProtectionClass(IEC 60529)	IP65-IP67	Ambient temperature	-25~+65°C	<p>M12-A3-8K4P-M23 Circuit</p> 	<p>M12-A3-8K4N-M23 Circuit</p> 
Length/Material Could be customized according to different enviroment ,like extrimpe tremepture and acid/alkali												
Rated voltage	24 V DC											
Rated current	4A											
ProtectionClass(IEC 60529)	IP65-IP67											
Ambient temperature	-25~+65°C											

Matching cable of junction box



PVC	grey3m	M23-F19T11-3.0PVC/GY	M23-F19S11-3.0PVC/GY
PVC	grey5m	M23-F19T11-5.0PVC/GY	M23-F19S11-5.0PVC/GY
PVC	grey10m	M23-F19T11-10.0PVC/GY	M23-F19S11-10.0PVC/GY
PUR	grey3m	M23-F19T11-3.0PUR/GY	M23-F19S11-3.0PUR/GY
PUR	grey5m	M23-F19T11-5.0PUR/GY	M23-F19S11-5.0PUR/GY
PUR	grey10m	M23-F19T11-10.0PUR/GY	M23-F19S11-10.0PUR/GY
DragChain	grey3m	M23-F19T11-3.0TL/GY	M23-F19S11-3.0TL/GY
DragChain	grey5m	M23-F19T11-5.0TL/GY	M23-F19S11-5.0TL/GY
DragChain	grey10m	M23-F19T11-10.0TL/GY	M23-F19S11-10.0TL/GY

<p>Product drawing</p> 	<p>Product size</p> 	<p>Pin Assignment</p> 										
<p>Form</p> <table border="1"> <tr> <td>Length/Material Could be customized according to different enviroment ,like extrimpe tremepture and acid/alkali</td> <td></td> </tr> <tr> <td>Rated voltage</td> <td>24 V DC</td> </tr> <tr> <td>Rated current</td> <td>4A</td> </tr> <tr> <td>ProtectionClass(IEC 60529)</td> <td>IP65-IP67</td> </tr> <tr> <td>Ambient temperature</td> <td>-25~+65°C</td> </tr> </table>	Length/Material Could be customized according to different enviroment ,like extrimpe tremepture and acid/alkali		Rated voltage	24 V DC	Rated current	4A	ProtectionClass(IEC 60529)	IP65-IP67	Ambient temperature	-25~+65°C	<p>M12-A3-8K4-M23 Circuit</p> 	
Length/Material Could be customized according to different enviroment ,like extrimpe tremepture and acid/alkali												
Rated voltage	24 V DC											
Rated current	4A											
ProtectionClass(IEC 60529)	IP65-IP67											
Ambient temperature	-25~+65°C											

Matching cable of junction box



Data ,CAD,3D document please refer to: WWW.VELLEDQ.COM



Junction Box



PVC	grey3m	M23-F19T11-3.0PVC/GY	M23-F19S11-3.0PVC/GY
PVC	grey5m	M23-F19T11-5.0PVC/GY	M23-F19S11-5.0PVC/GY
PVC	grey10m	M23-F19T11-10.0PVC/GY	M23-F19S11-10.0PVC/GY
PUR	grey3m	M23-F19T11-3.0PUR/GY	M23-F19S11-3.0PUR/GY
PUR	grey5m	M23-F19T11-5.0PUR/GY	M23-F19S11-5.0PUR/GY
PUR	grey10m	M23-F19T11-10.0PUR/GY	M23-F19S11-10.0PUR/GY
DragChain	grey3m	M23-F19T11-3.0TL/GY	M23-F19S11-3.0TL/GY
DragChain	grey5m	M23-F19T11-5.0TL/GY	M23-F19S11-5.0TL/GY
DragChain	grey10m	M23-F19T11-10.0TL/GY	M23-F19S11-10.0TL/GY

Product drawing	Product size	Pin Assignment
Form	M12-A3-8K5P-M23 Circuit	M12-A3-8K5N-M23 Circuit
Length/Material Could be customized according to different environment ,like extrame temprature and acid/alkali		
Rated voltage	24 V DC	
Rated current	4A	
ProtectionClass(IEC 60529)	IP65-IP67	
Ambient temperature	-25~+65°C	

Matching cable of junction box



PVC	grey3m	M23-F19T19-3.0PVC/GY	M23-F19S19-3.0PVC/GY
PVC	grey5m	M23-F19T19-5.0PVC/GY	M23-F19S19-5.0PVC/GY
PVC	grey10m	M23-F19T19-10.0PVC/GY	M23-F19S19-10.0PVC/GY
PUR	grey3m	M23-F19T19-3.0PUR/GY	M23-F19S19-3.0PUR/GY
PUR	grey5m	M23-F19T19-5.0PUR/GY	M23-F19S19-5.0PUR/GY
PUR	grey10m	M23-F19T19-10.0PUR/GY	M23-F19S19-10.0PUR/GY
DragChain	grey3m	M23-F19T19-3.0TL/GY	M23-F19S19-3.0TL/GY
DragChain	grey 5m	M23-F19T19-5.0TL/GY	M23-F19S19-5.0TL/GY
DragChain	grey10m	M23-F19T19-10.0TL/GY	M23-F19S19-10.0TL/GY

Product drawing	Product size	Pin Assignment
Form	M12-A3-8K5-M23	Circuit
Length/Material Could be customized according to different enviroment ,like extrame temprature and acid/alkali		
Rated voltage	24 V DC	
Rated current	4A	
ProtectionClass(IEC 60529)	IP65-IP67	
Ambient temperature	-25~+65°C	

